

H450 SERIES AWNING (PROJECT-OUT)

The Quaker Historical H450 Series Awning window is ideal for a variety of applications including - Historical, Landmarks, Institutions and Education.

FEATURES

- ◇ Commercial Framing System
 - 3 1/4" main frame
 - Historically-correct bevel frame exterior
 - Minimum of 0.080" wall thickness
 - Dual Euro Groove System
 - Available with or without integral nailing fin
- ◇ Thermally Enhanced Design
 - Thermally-broken main frame and vent rails
 - Azon pour and debridge thermal break technology
- ◇ Glazing
 - 1" insulating glass
- ◇ Hardware
 - Maxim LP Locking System, 4-Bar Hinge and Roto Hardware on crank out model
 - Maxim LP Locking System, 4-Bar Hinge and Push/Pull Cup Hardware on push-out model
- ◇ Screen
 - Easily removable FlexScreen

OPTIONS

- ◇ Available Configurations
 - Project-out Awning
 - Push-out or Crank-out
 - Floating Operator
 - Continuous frame capabilities
 - Fixed
- ◇ Muntin Choices
 - Internal or simulated divided lites available
- ◇ Hardware
 - Limit Travel Accessories
- ◇ Screen
 - Wicket Screen (push-out model only)
- ◇ Glazing
 - Multiple Low-E and argon glazing choices
 - Glazing pocket can accept 1 3/8" insulating glass for sound attenuation purposes
 - Capillary tubes
 - Wide variety of glazing, tinting and thickness options
- ◇ Panning & Trim Choices
 - Wide variety of panning, receptor and trim available
- ◇ Mulling
 - Wide variety of structural mulls

BENEFITS

- ◇ Historically accurate profiles to help your project meet Historic Preservation codes
- ◇ The capacity to match exterior colors for unique project facades
- ◇ The ability to facilitate large sizes for taller and wider window openings

PERFORMANCE

- ◇ Structural & Thermal (test reports or thermal simulations available upon request)

Model	Awning (Project-Out)
Test Size:	60" x 36"
NAFS Rating	CW-70*
Structural Load P.S.F.	105*
Air at 50 MPH (cfm/ft ²)	<0.10*
Water (No Penetration) P.S.F.	12*
U-Value (ranges based on multiple Low-E/Argon combinations)	0.40-0.60*
SHGC (ranges based on multiple Low-E/Argon combinations)	0.14-0.59*

Certification testing in progress as of 5-18-2020.

* = Performance numbers and NAFS Ratings are projected.



ARCHITECTURAL PAINT COATINGS AND FINISHES

◇ Baked on powder coat finish meets AAMA 2604 (an FGIA specification) and is available in unlimited colors

- Quaker Impressive Palette of Colors



- 7 Resemble Colors (painted finish resembling anodized)



- Unlimited Custom Colors

◇ AAMA 2605 (an FGIA specification) powder coat finishes (not available for all colors shown)

◇ SolarLE Paint Finish (available with Textured Black and Dark Espresso colors only)

◇ AAMA 611-98 Class I clear and tinted anodized finishes

* Printed colors shown here may not accurately depict actual painted colors. Color samples are available upon request.

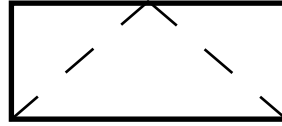
Our products are tested to the standards of and certified by some of the foremost organizations in the fenestration industry.



QUAKER
COMMERCIAL WINDOWS AND DOORS



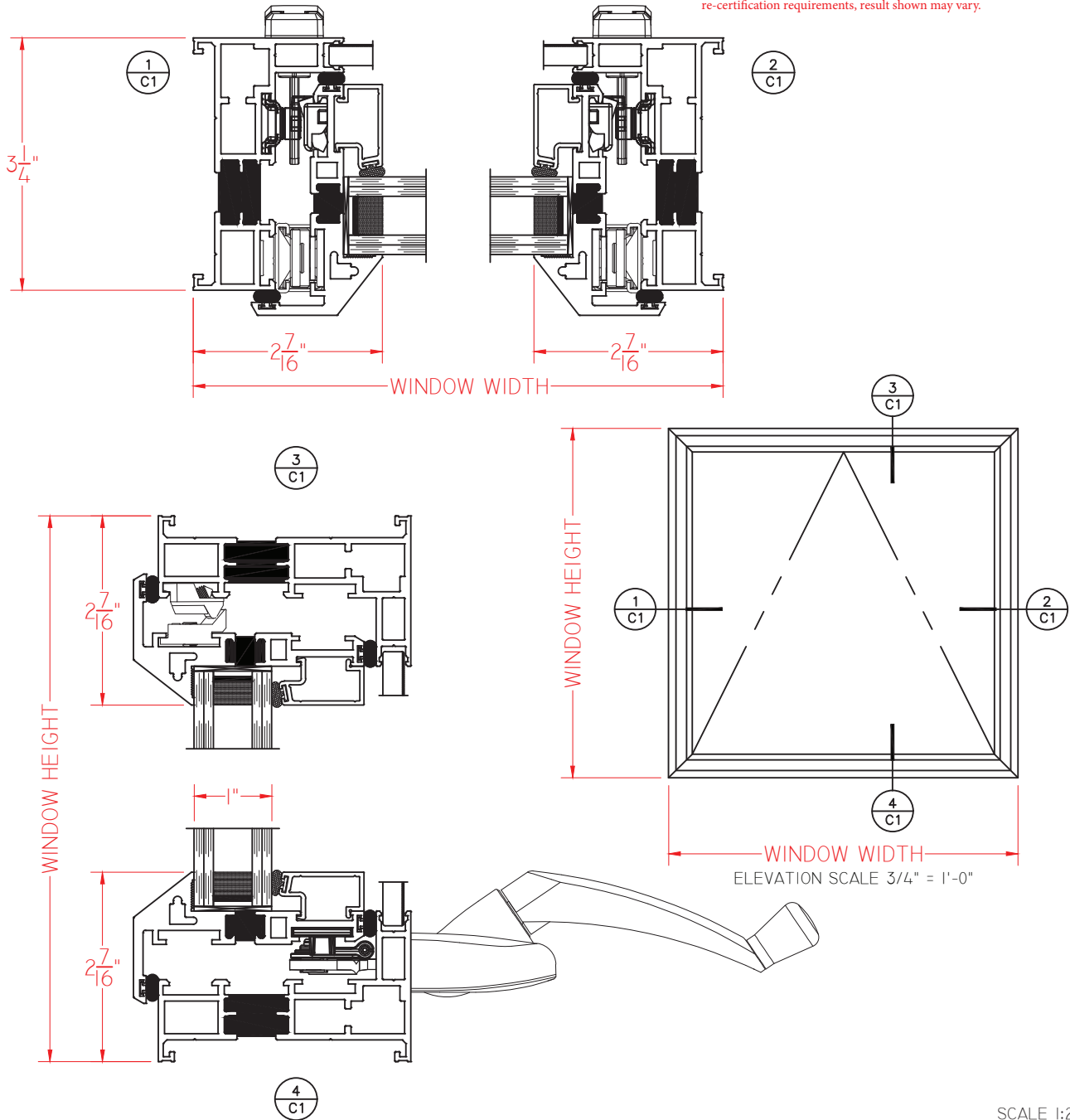
QUAKER
COMMERCIAL WINDOWS AND DOORS



H450 Series
3 1/4" Frame Depth
Awning (Project-Out)

H450 AWNING WITHOUT NAILING FIN (CRANK OUT)

This document contains confidential and proprietary information intended for the private use of Quaker.
© 2020 Quaker Window Products Co., INC. All rights reserved.
Quaker reserves the right to change any/all designs without notice. Due to periodic re-certification requirements, result shown may vary.



SCALE 1:2

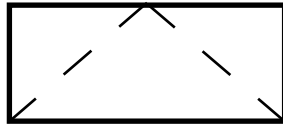
Our products are tested to the standards of and certified by some of the foremost organizations in the fenestration industry.



QUAKER
COMMERCIAL WINDOWS AND DOORS



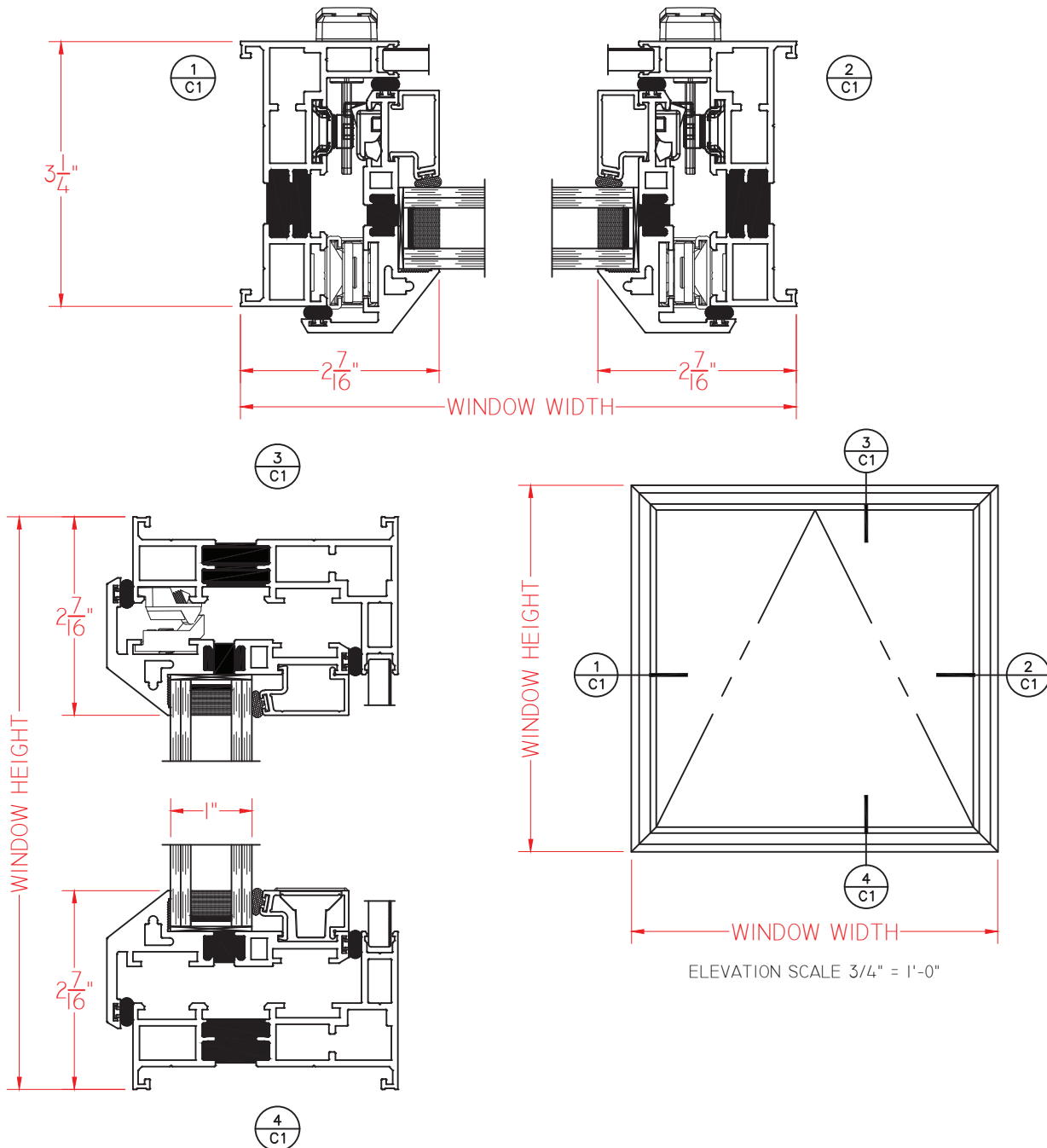
QUAKER
COMMERCIAL WINDOWS AND DOORS



Historical
SERIES **H450 Series**
3 1/4" Frame Depth
Awning (Project-Out)

H450 AWNING WITHOUT NAILING FIN (PUSH OUT)

This document contains confidential and proprietary information intended for the private use of Quaker.
© 2020 Quaker Window Products Co., INC. All rights reserved.
Quaker reserves the right to change any/all designs without notice. Due to periodic re-certification requirements, result shown may vary.



SCALE 1:2

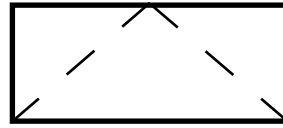
Our products are tested to the standards of and certified by some of the foremost organizations in the fenestration industry.



QUAKER
COMMERCIAL WINDOWS AND DOORS



QUAKER
COMMERCIAL WINDOWS AND DOORS

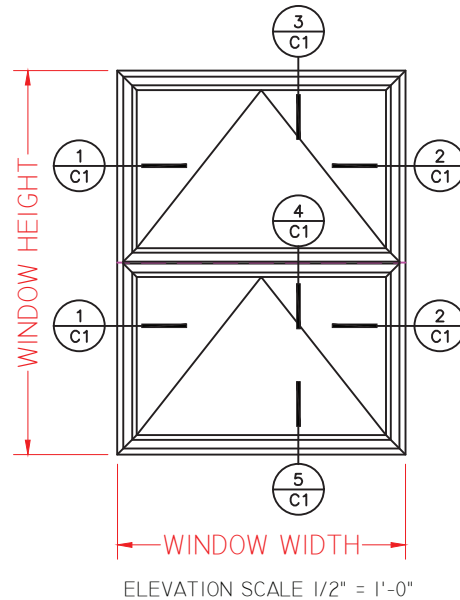
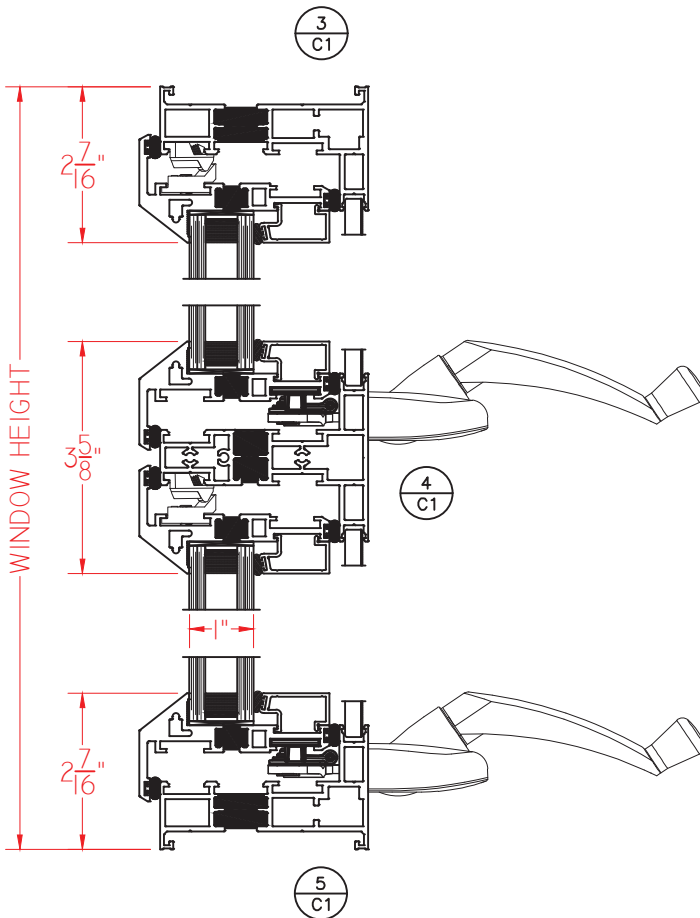
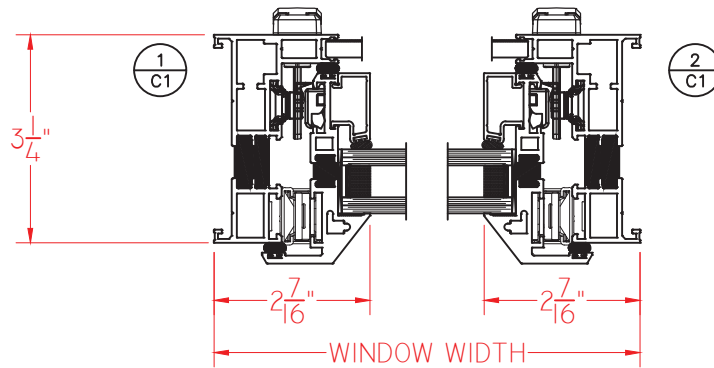


Historical
SERIES

H450 Series
3 1/4" Frame Depth
Awning (Project-Out)

H450 AWNING/AWNING (CRANK OUT)

This document contains confidential and proprietary information intended for the private use of Quaker.
© 2020 Quaker Window Products Co., INC. All rights reserved.
Quaker reserves the right to change any/all designs without notice. Due to periodic re-certification requirements, result shown may vary.



SCALE 1:3

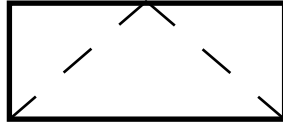
Our products are tested to the standards of and certified by some of the foremost organizations in the fenestration industry.



QUAKER
COMMERCIAL WINDOWS AND DOORS



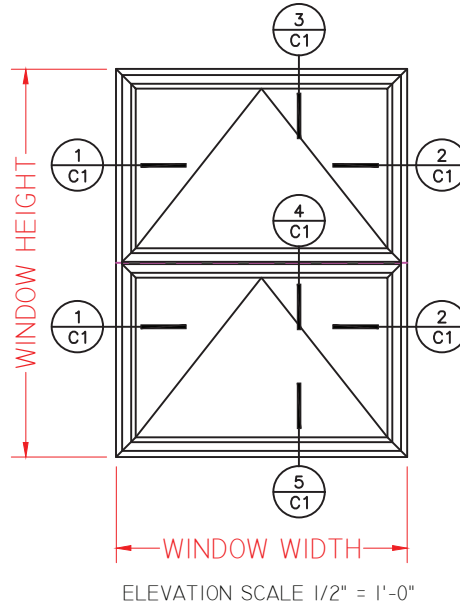
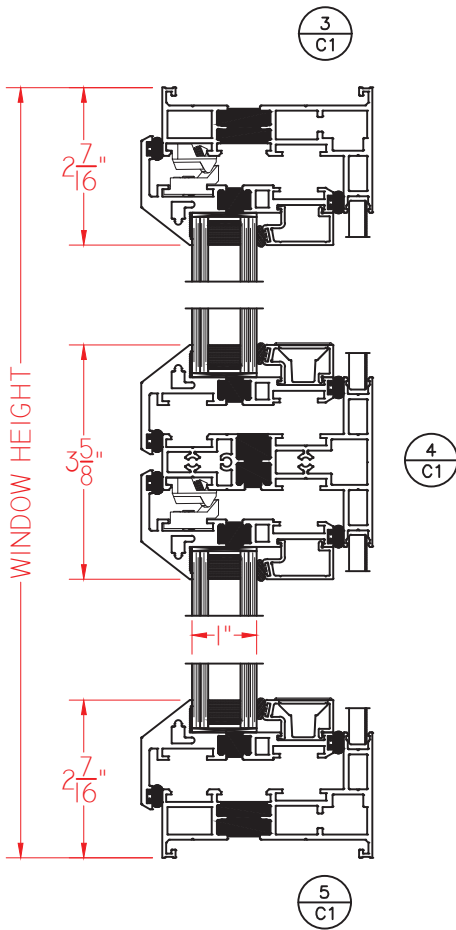
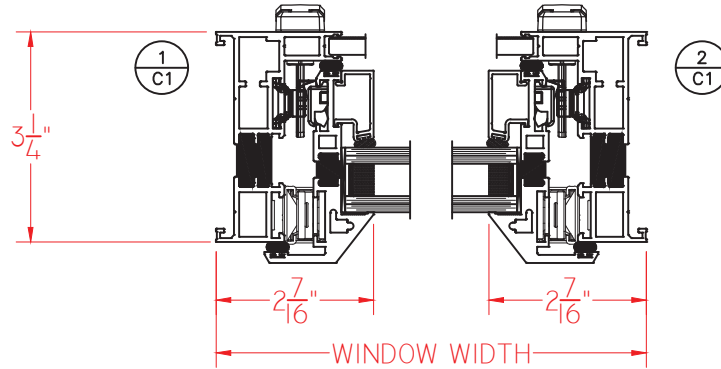
QUAKER
COMMERCIAL WINDOWS AND DOORS



Historical
SERIES **H450 Series**
3 1/4" Frame Depth
Awning (Project-Out)

H450 AWNING/AWNING (PUSH OUT)

This document contains confidential and proprietary information intended for the private use of Quaker.
© 2020 Quaker Window Products Co., INC. All rights reserved.
Quaker reserves the right to change any/all designs without notice. Due to periodic re-certification requirements, result shown may vary.



SCALE 1:3

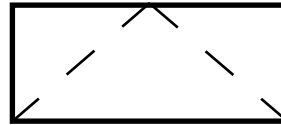
Our products are tested to the standards of and certified by some of the foremost organizations in the fenestration industry.



QUAKER
COMMERCIAL WINDOWS AND DOORS



QUAKER
COMMERCIAL WINDOWS AND DOORS

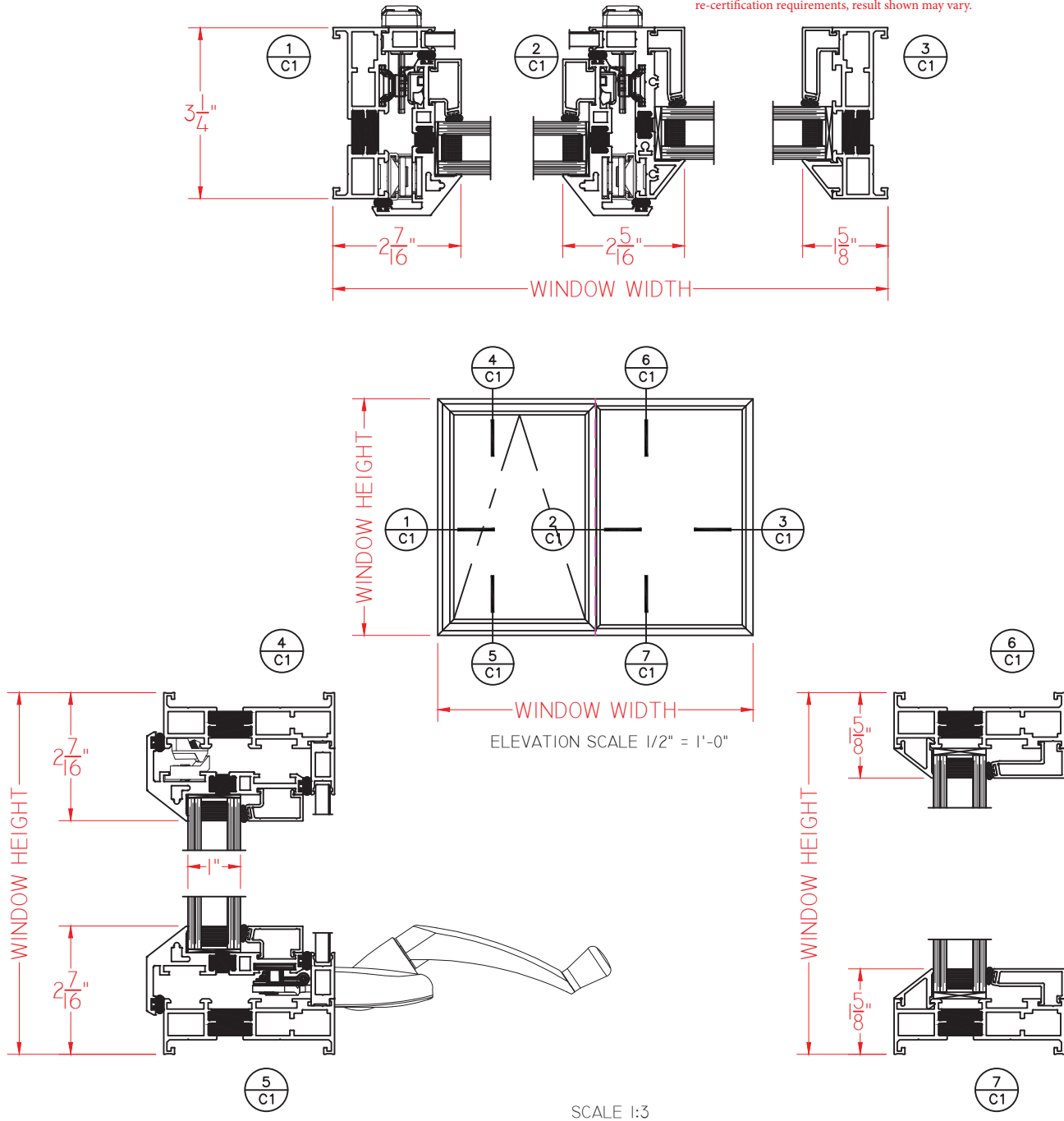


Historical
SERIES

H450 Series
3 1/4" Frame Depth
Awning (Project-Out)

H450 AWNING (CRANK OUT)/PICTURE WINDOW

This document contains confidential and proprietary information intended for the private use of Quaker.
© 2020 Quaker Window Products Co., INC. All rights reserved.
Quaker reserves the right to change any/all designs without notice. Due to periodic re-certification requirements, result shown may vary.



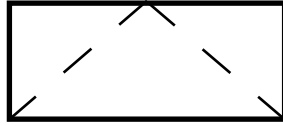
Our products are tested to the standards of and certified by some of the foremost organizations in the fenestration industry.



QUAKER
COMMERCIAL WINDOWS AND DOORS



QUAKER
COMMERCIAL WINDOWS AND DOORS



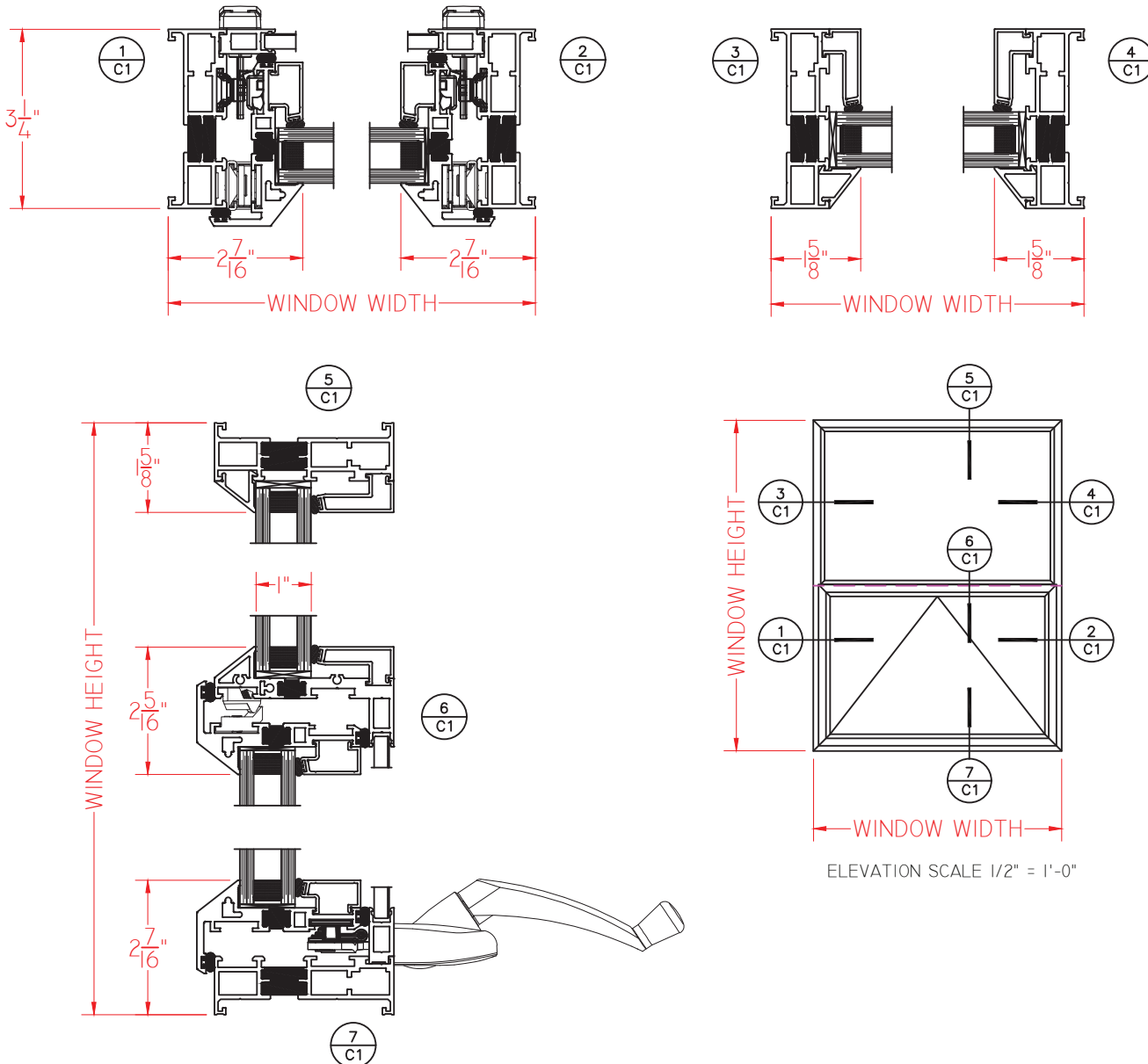
Historical
SERIES **H450 Series**
3 1/4" Frame Depth
Awning (Project-Out)

H450 AWNING (CRANK OUT)/PICTURE WINDOW

This document contains confidential and proprietary information intended for the private use of Quaker.

© 2020 Quaker Window Products Co., INC. All rights reserved.

Quaker reserves the right to change any/all designs without notice. Due to periodic re-certification requirements, result shown may vary.



SCALE 1:3

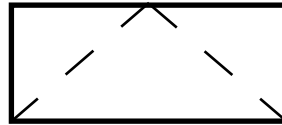
Our products are tested to the standards of and certified by some of the foremost organizations in the fenestration industry.



QUAKER
COMMERCIAL WINDOWS AND DOORS



QUAKER
COMMERCIAL WINDOWS AND DOORS



Historical
SERIES

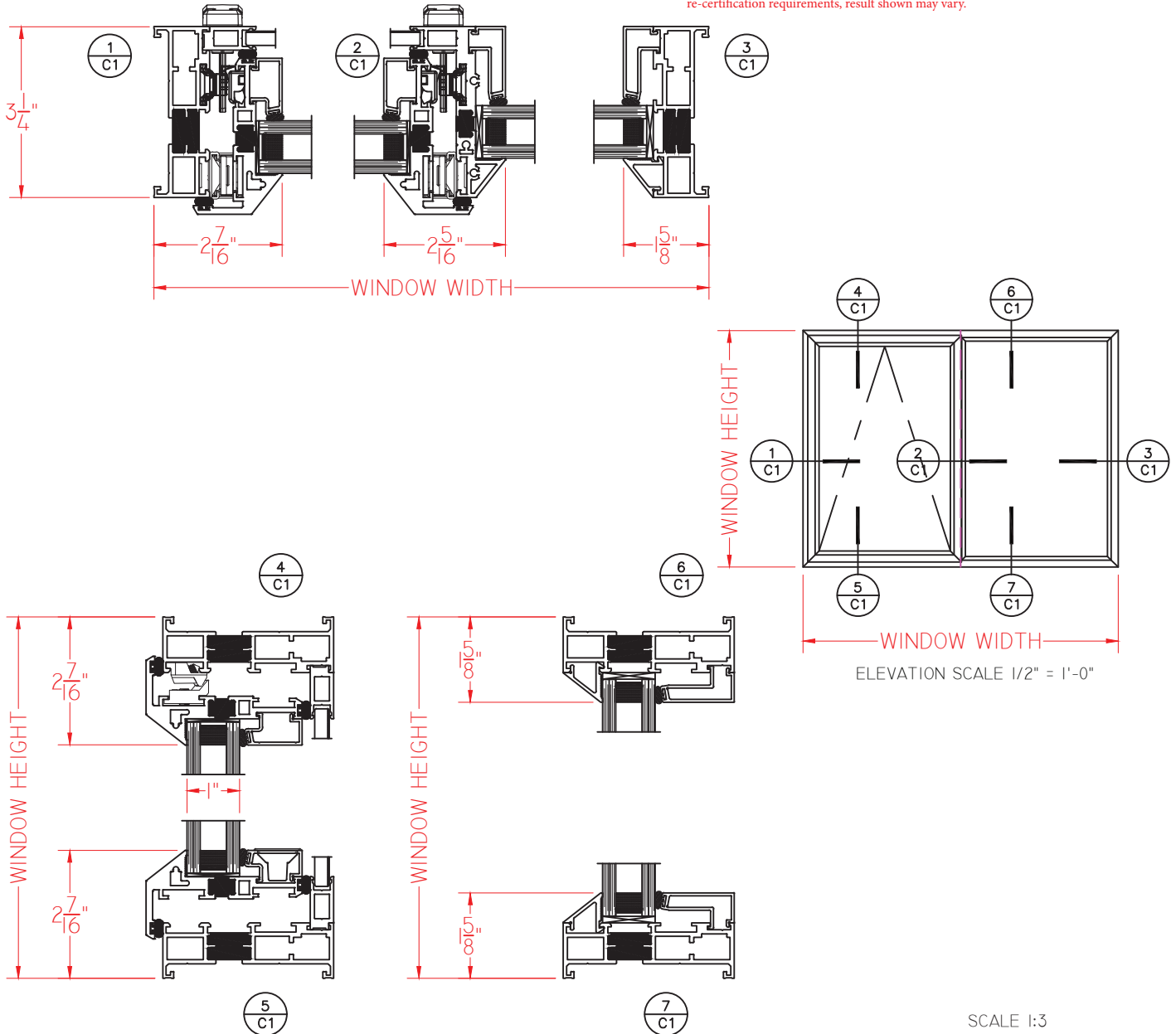
H450 Series
3 1/4" Frame Depth
Awning (Project-Out)

H450 PICTURE WINDOW/AWNING (PUSHOUT)

This document contains confidential and proprietary information intended for the private use of Quaker.

© 2020 Quaker Window Products Co., INC. All rights reserved.

Quaker reserves the right to change any/all designs without notice. Due to periodic re-certification requirements, result shown may vary.



SCALE 1:3

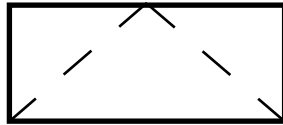
Our products are tested to the standards of and certified by some of the foremost organizations in the fenestration industry.



QUAKER
COMMERCIAL WINDOWS AND DOORS



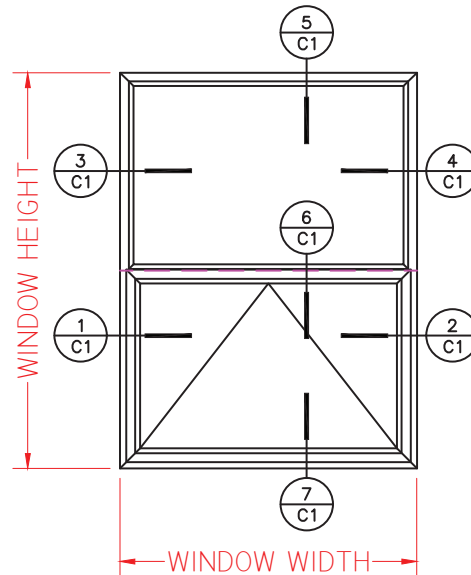
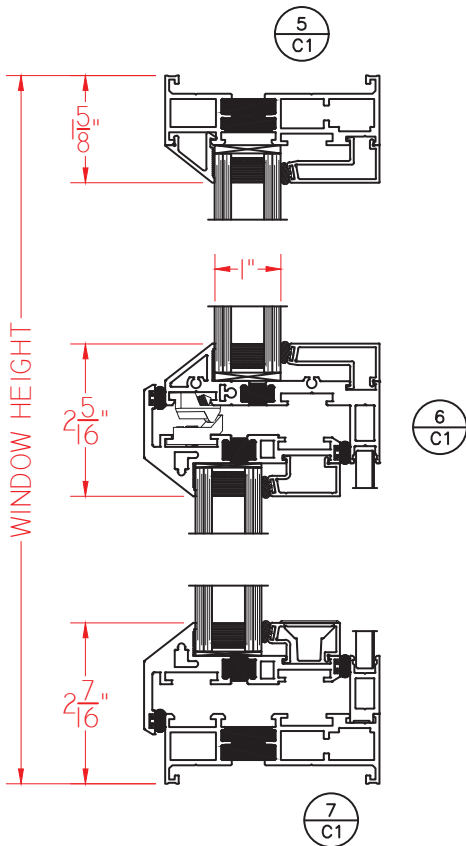
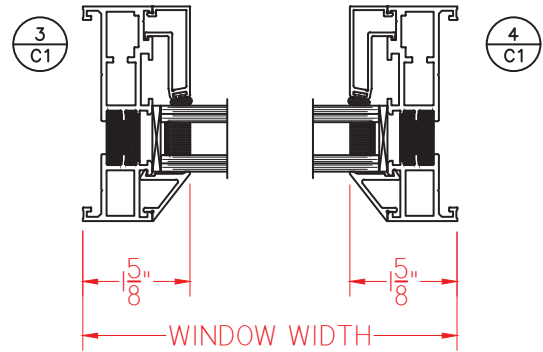
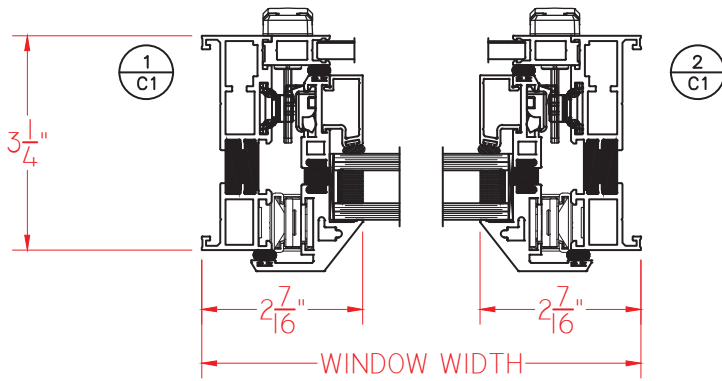
QUAKER
COMMERCIAL WINDOWS AND DOORS



Historical SERIES
H450 Series
3 1/4" Frame Depth
Awning (Project-Out)

H450 PICTURE WINDOW/AWNING (PUSHOUT)

This document contains confidential and proprietary information intended for the private use of Quaker.
© 2020 Quaker Window Products Co., INC. All rights reserved.
Quaker reserves the right to change any/all designs without notice. Due to periodic re-certification requirements, result shown may vary.



ELEVATION SCALE 1/2" = 1'-0"

SCALE 1:3

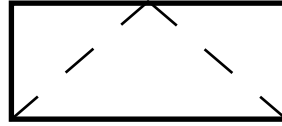
Our products are tested to the standards of and certified by some of the foremost organizations in the fenestration industry.



QUAKER
COMMERCIAL WINDOWS AND DOORS



QUAKER
COMMERCIAL WINDOWS AND DOORS

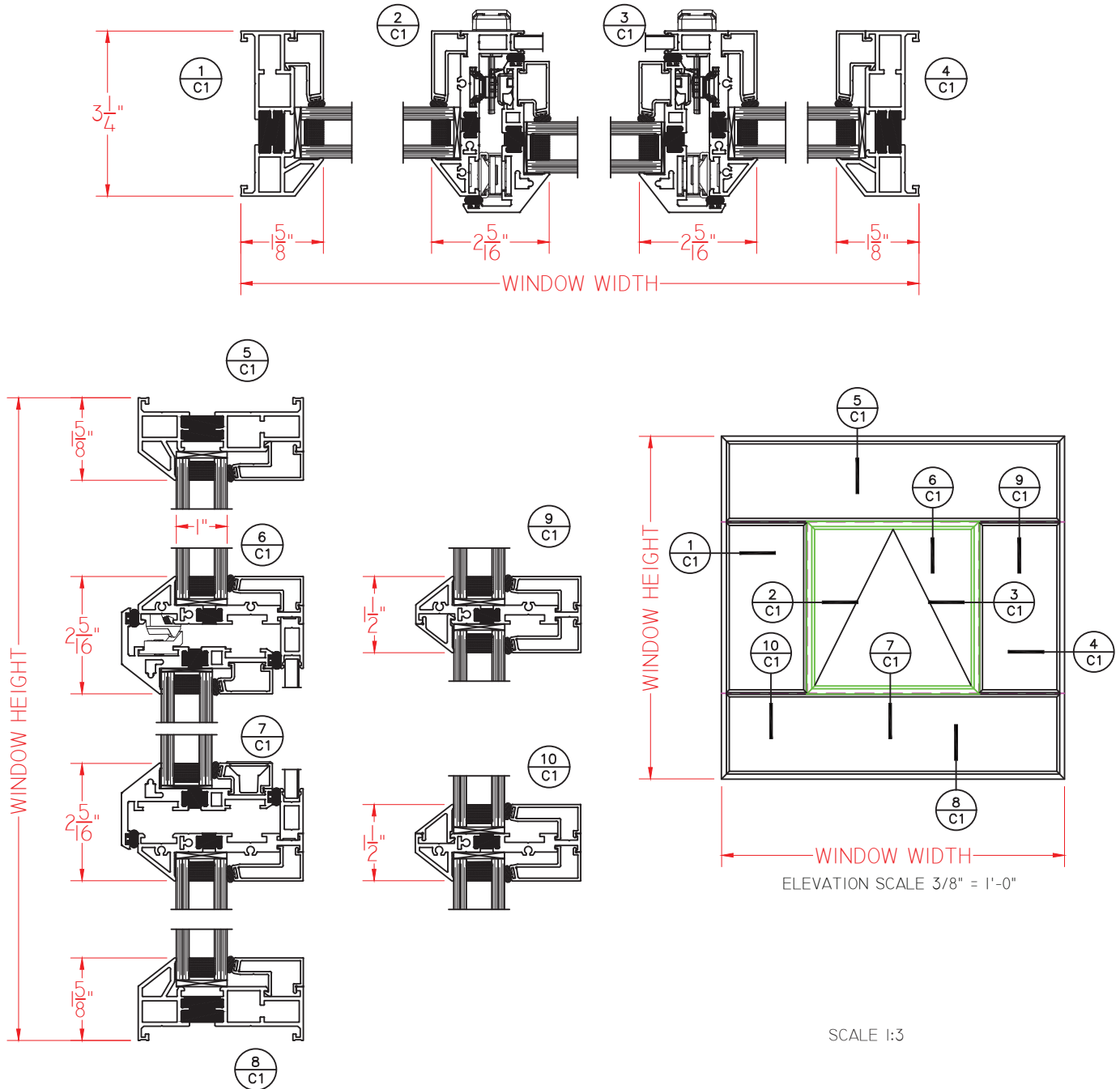


Historical
SERIES

H450 Series
3 1/4" Frame Depth
Awning (Project-Out)

H450 FLOATING OPERATOR (PICTURE WINDOW/AWNING)

This document contains confidential and proprietary information intended for the private use of Quaker.
© 2020 Quaker Window Products Co., INC. All rights reserved.
Quaker reserves the right to change any/all designs without notice. Due to periodic re-certification requirements, result shown may vary.



Our products are tested to the standards of and certified by some of the foremost organizations in the fenestration industry.



QUAKER
COMMERCIAL WINDOWS AND DOORS